

## HELIPORT LIGHT BEACON MEDIUM INTENSITY L801H-LXS



## HELIPORT LIGHT BEACON MEDIUM INTENSITY L801H-LXS

### KEY FEATURES

- Based on LED technology
- 25.000cd WHITE light
- 10.000cd YELLOW light
- 3.750cd GREEN
- Long life time >10 years life expectancy
- Low consumption
- Stabilised light output
- Lightweight and compact
- Low wind load factor
- Alarm/remote status control
- Easy to install
- No RF-radiations
- Light output alignment device
- Power supply AC
- Patented beacon (EU 001929910-0001; Canada 145 189; USA D673,474; Turkey TR2012 05662)

### OPTICAL FEATURES

- Cd emission @ -3° and +7°
- Horizontal beam radiation 360°
- Vertical beam spread 4°
- PMMA lens
- 33 - 39 fpm

### OPTIONS

- Beacon support bracket
- Power supply DC
- Top wind deflector
- GPS (Global Position System) syncro

### ELECTRICAL FEATURES

- Average power consumption up to 50W
- Range section of connectable conductors: 0,5mm<sup>2</sup> to 2,5mm<sup>2</sup>
- Cable outer diameter range: 7mm to 14mm
- LED feeded at constant current
- Lightning protection

### MECHANICAL FEATURES

- Anodised aluminium body with heat-sink for natural draft air cooling
- Aviation yellow painted aluminium body lamp
- Bottom wind collector for central heat-sink cooling
- Borosilicate glass cover protection
- Silicon gasket
- Wind resistance tested at 240km/h (150mph)
- Vibration resistance up to: 80m/s<sup>2</sup> (10° Mercalli Intensity Scale / 7° Richter Magnitude Scale)
- Degree of protection: IP65
- Operating temp.: -20°C to +45°C - class 2
- Lamp unit weight: 7kg

### APPLY TO

- Heliports intended for use at night and that can not be easily identified from the air by other means.
- Used to generally identify the presence of an aerodrome.

### CERTIFICATIONS

- CE marking

### COMPLIANCE

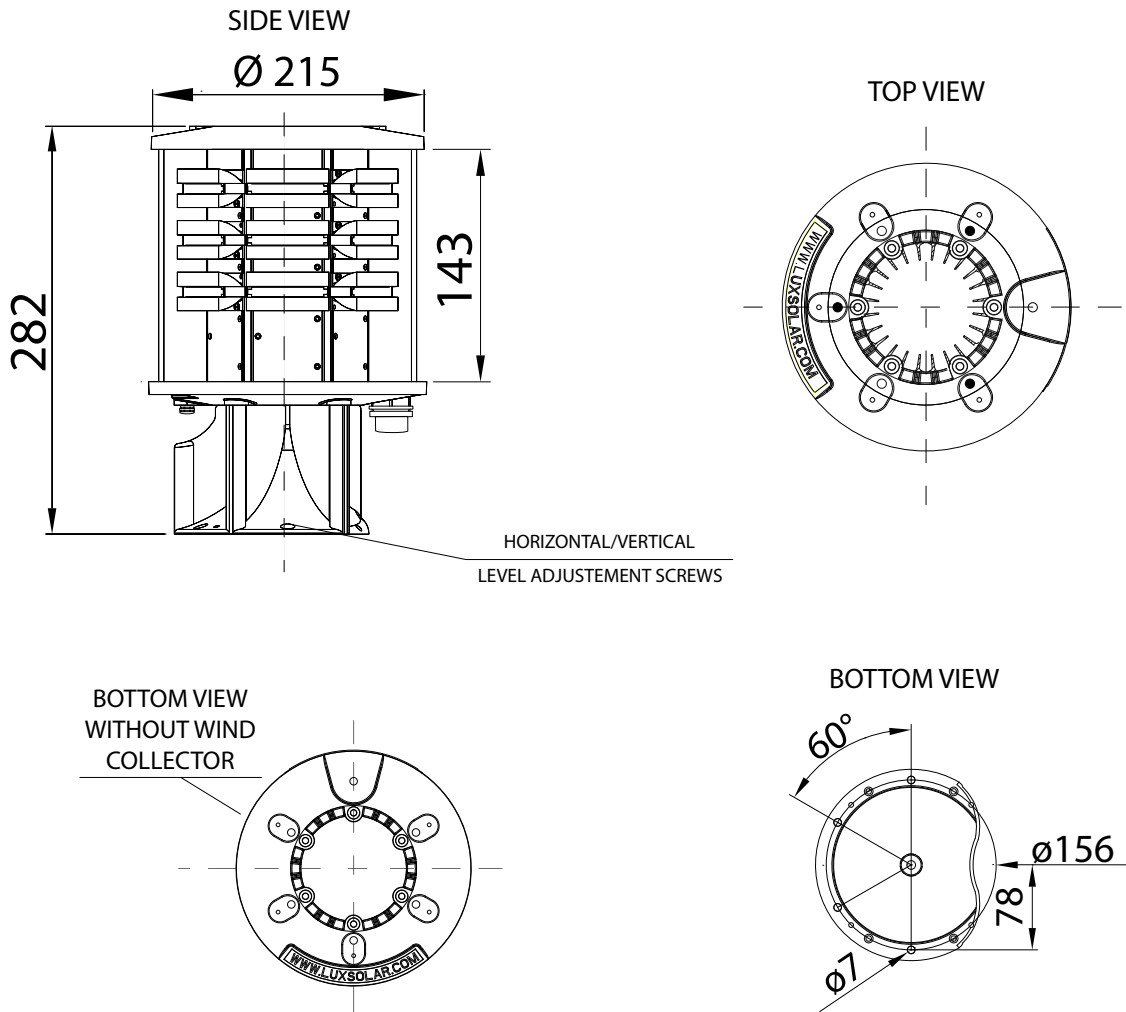
- FAA AC150/5345-12F lamp type L-801S

### PART NUMBER

- Part number: **L801H-LXS-230VAC**  
**L801H-LXS-24VDC**

# FAA AERONAUTICAL BEACONS

## HELIPORT LIGHT BEACON MEDIUM INTENSITY L801H-LXS



HELIPORT LIGHT BEACONS

### CERTIFICATION



### COMPLIANCE



### FEATURES

<b>BASE</b> 	<b>DOME</b> 							<b>WHITE</b> CD 25000	<b>YELLOW</b> CD 10000	<b>GREEN</b> CD 3750

### TYPICAL APPLICATION

